

Product

- July shower or bath mixer

Mico Code

601621

Kohler Code

5224A-CP

**Included Components**

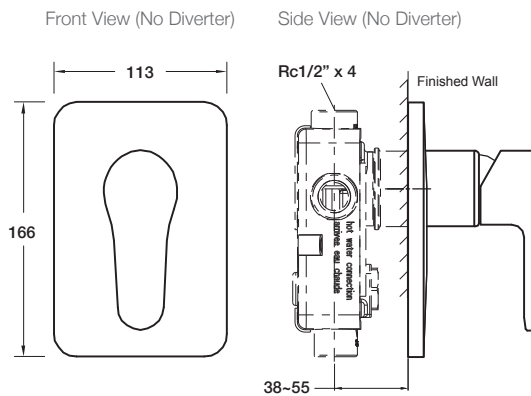
- In wall valve
- Trim kit

Features

- Polished chrome
- Metal construction
- 40mm ceramic disc valve
- Suitable for mains pressure
- KOHLER finishes resist tarnishing and corrosion

Related Products

- July tapware
- July accessories

Technical Details**Installation Notes:**

- Optimum working pressure 300-500 kPa.
- Maximum hydrostatic pressure 800kPa. (This pressure may be exceeded only under test conditions).
- Maximum temperature 80°C.
- Where normal working pressure exceeds the maximum, pressure limiting valves should be installed.
- For optimum installation it is important that the valve is installed plumb on both horizontal and vertical plains.
- Inline filters should be used to protect tapware from debris that may be present within the plumbing.