

Product

- Regatta drop-in BubbleMassage™ bath

Kohler Code

11303A-GAB-0

**Included Components**

- 40mm chrome pop-up waste and overflow
- 1.5m flexible hose for blower connection
- Detached heated air blower - air switch operation
- Chrome rail and fixing kit
- Charcoal pillow

Features

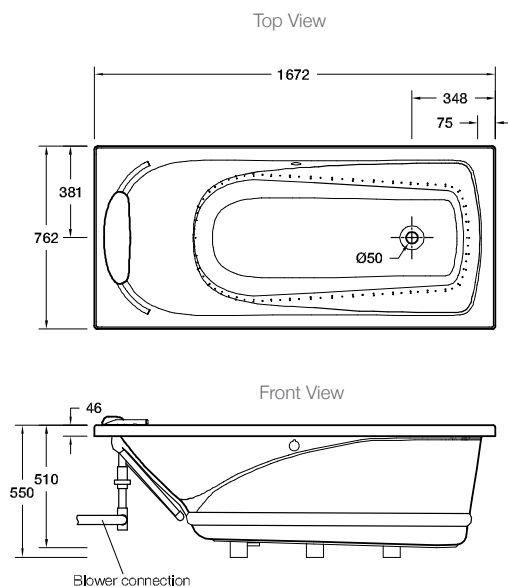
- Drop-in acrylic bath (fully reinforced)
- Multiple air holes releasing tiny bubbles
- Elegant chrome head rail and charcoal pillow

Optional Accessories

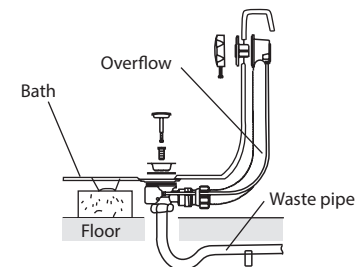
- Tapware

Related Products

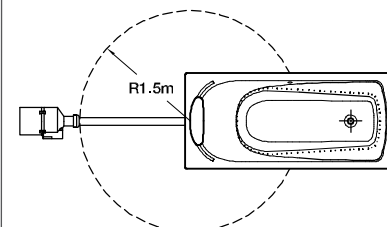
- Regatta baths

Technical Details

Pop-up waste and overflow



Detached blower positions

**Installation Notes:**

- Requires a 220-250V, 10A, 50Hz dedicated service on an ELCB or RCD protected circuit.
- Floor must provide support for a minimum of 400kg and must be level.
- Detached blower (supplied) allows for multiple installation positions and helps to keep blower noise to a minimum.
- A non return valve allows blower to be installed at any height.