

Product

- Margaux basin set with cross handles

Kohler Code

16232A-3ND-CP



Included Components

- Concealed breach piece

Features

- Polished chrome
- Metal construction
- ¼ turn ceramic disc valves
- Suitable for mains pressure
- KOHLER finishes resist tarnishing and corrosion

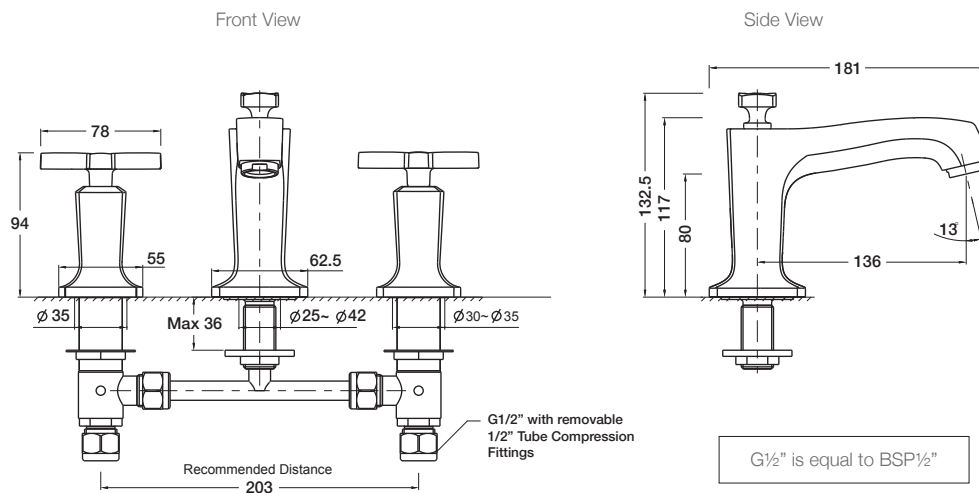


WELS RATING
(5 Star 6 Litres / min)

Related Products

- Margaux tapware
- Margaux accessories

Technical Details



Installation Notes:

- Optimum working pressure 300-500 kPa.
- Maximum hydrostatic pressure 800kPa. (This pressure may be exceeded only under test conditions).
- Maximum temperature 80°C.
- Maximum bench thickness is 36mm.
- Where normal working pressure exceeds the maximum, pressure limiting valves should be installed.
- Inline filters should be used to protect tapware from debris that may be present within the plumbing.