

**Product**

- Viteo wall mount basin set

**Kohler Code**

8123A-4ND-CP

**Included Components**

- In wall valve
- Trim kit
- Spout

**Features**

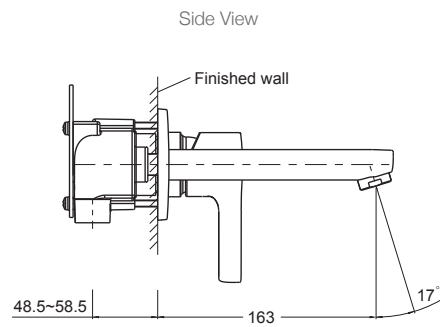
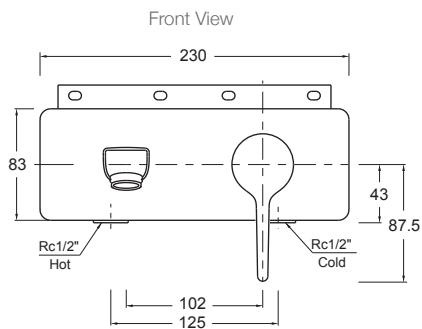
- Polished chrome
- Metal body construction
- Ceramic disc valve
- Suitable for mains pressure
- KOHLER finishes resist tarnishing and corrosion



WELS RATING  
(5 Star 6 Litres / min)

**Related Products**

- Viteo tapware

**Technical Details****Installation Notes:**

- Female Rc1/2" inlets.
- Optimum working pressure 300-500 kPa.
- Maximum hydrostatic pressure 800 kPa (This pressure may be exceeded only under test conditions).
- Maximum temperature 80°C.
- Where normal working pressure exceeds the maximum, pressure limiting valves should be installed.
- Inline filters should be used to protect tapware from debris that may be present within the plumbing.