

Product

- Viteo wall mount bath set

Kohler Code

8125A-4-CP

**Included Components**

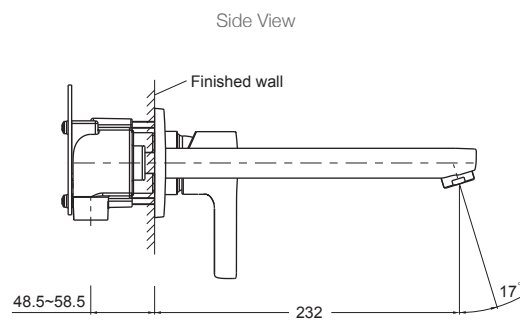
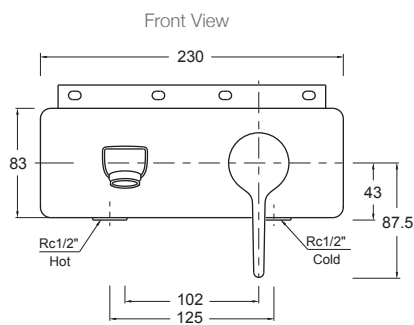
- In wall valve
- Trim kit
- Spout

Features

- Polished chrome
- Metal construction
- Ceramic disc valve
- Suitable for mains pressure
- KOHLER finishes resist tarnishing and corrosion

Related Products

- Viteo tapware

Technical Details**Installation Notes:**

- Rc1/2" female inlets.
- Optimum working pressure 300-500 kPa.
- Maximum hydrostatic pressure 800 kPa (This pressure may be exceeded only under test conditions).
- Maximum temperature 80°C.
- Where normal working pressure exceeds the maximum, pressure limiting valves should be installed.
- Inline filters should be used to protect tapware from debris that may be present within the plumbing.