

**Product**

- WaterTile 54 nozzle shower head

**Kohler Code**

8022A-CP

**Included Components**

- Installation template
- Shower head adapter

**Features**

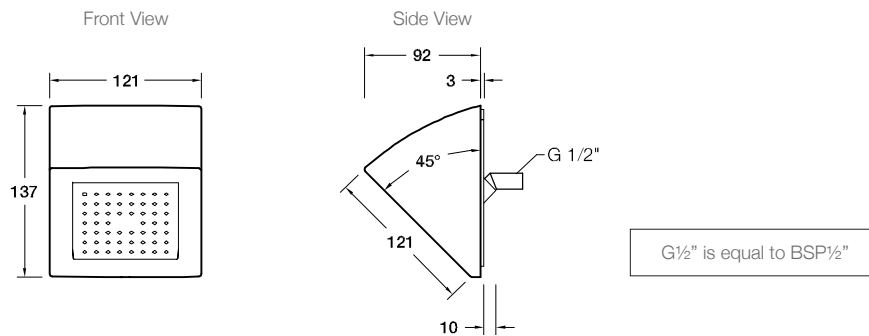
- Metal construction
- Polished chrome
- 54-nozzle, fully-adjustable, pivoting sprayhead
- Suitable for mains pressure
- MasterClean™ spray nozzles for soothing water experience
- Low profile design
- Vertical wall installation
- KOHLER finishes resist tarnishing and corrosion



WELS RATING  
(3 Star 7 Litres / min)

**Related Products**

- WaterTile shower tapware

**Technical Details****Installation Notes:**

- G 1/2" male inlet.
- Optimum working pressure 300-500 kPa.
- Inline filters should be used to protect tapware from debris that may be present within the plumbing.