

Product

- Evok rectangular BubbleMassage™ bath

Kohler Code

18344A-GAB-0



Included Components

- 40mm chrome pop-up waste and overflow
- Attached heated blower - air switch operation
- Evok bath pillow in charcoal

Features

- Freestanding acrylic bath (fully reinforced)
- Multiple air holes releasing tiny bubbles
- Easy installation using drop in base support and adjustable feet

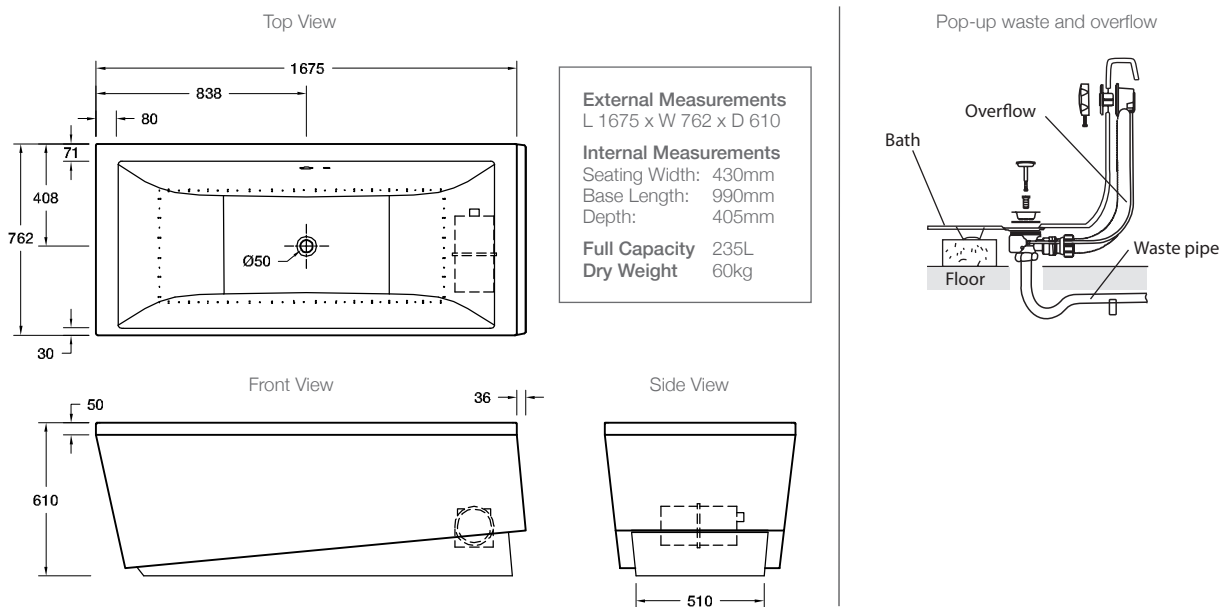
Optional Accessories

- Tapware

Related Products

- Evok baths
- Evok whirlpools

Technical Details



Installation Notes:

- Requires a 220-250V, 10A, 50Hz dedicated service on an ELCB or RCD protected circuit.
- Floor must provide support for a minimum of 400kg and must be level.
- It is recommended that a Hepworth flexible waste trap system (not supplied) is used to connect the waste outlet.