

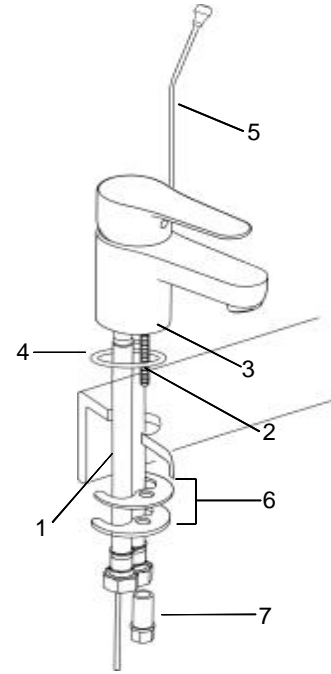
INSTALLATION

How to Install the Faucet

Install the mounting stud(2) onto the faucet body base(3). Insert lift rod (5) to the hole of the body. Slide the washer(4) over the flexible hoses(1) and mounting stud(2), and into the groove at the bottom of the faucet body.

Insert the flexible supply hoses(1) into the lavatory hole. Position the faucet. From underside of the lavatory, place the bracket(6)(Rubber washer is on the top) onto the mounting stud, and secure the faucet with the nut(7).

Attach the hoses to water supplies. When facing front of faucet , the left hose connects to hot water, the right hose with "COLD" label connects to cold water.

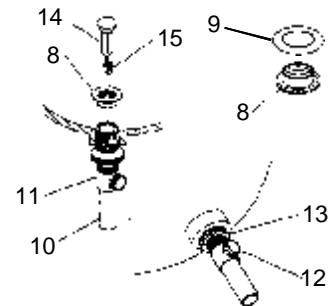


How to Install the Drain(Not for 16027-4ND)

Remove flange(8) from drain body. Slide the washer(9) onto the underside of the drain flange. Apply thread tape to tailpiece (10). Install to drain body(11). Insert drain body into underside of lavatory with drain lever hole(12) facing to the back of lavatory and thread flange(8) onto drain body until hand tight. Tighten the locknut(13) by hand from the underside of the fixture.

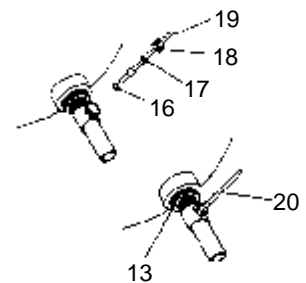
Place stopper (14) into drain body aligning the flat side of stopper hole (15) with the drain lever hole.

NOTE: If needed apply a ring of plumbers putty around the underside of the drain flange(8), instead of using washer(9).



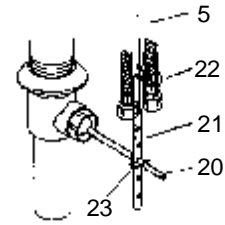
Place the rubber washer(16) into the drain lever hole(12). Put another plastic washer (17) and retaining nut(18) into the long end of ball lever rod (19). Insert the ball lever assembly(20) into the drain lever hole and through the stopper hole(15), and tighten the retaining nut(18).

Be sure that the ball lever points to the back of the lavatory. Tighten the locknut (13) onto the drain body. Remove any excess putty.



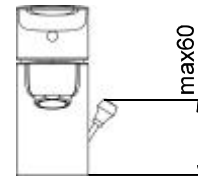
NOTE: Do not reposition the drain after the locknut is tightened, or you may break the putty seal.

Assemble thumb screw(22) to link(21), and link onto ball lever rod (20) with "V"-clip(23). Slide lift rod(5) through the hole of the link. Position the lift rod so that the length between the top of the lift rod and the mounting surface can not exceed 60mm when the drain is closed.



Push the ball lever down into the open position .

Tighten thumb screw.

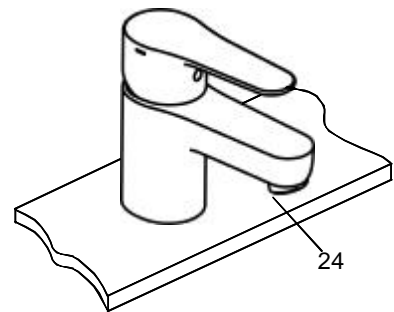


INSTALLATION CHECKOUT

Ensure that all connections are tight. Ensure that the handle is in the off position.

Open the drain. Turn on main water supply and check for leaks. Repair as required.

Remove aerator(24). Turn on the faucet. Run hot and cold water through spout for about a minute to remove any debris. Remove any debris from aerator. Shut off the faucet and reinstall aerator.



CLEANING INSTRUCTIONS

All Finishes: Clean the finish with a mild soap and warm water. Wipe entire surface completely dry with a clean soft cloth. Many cleaners may contain chemicals, such as ammonia, chlorine, toilet cleaner etc. which could adversely affect the finish and are not recommended for cleaning.

Do not use abrasive cleaners or solvents on Kohler faucets and fittings.

16027/16027-4ND SINGLE HOLE LAV FAUCET

